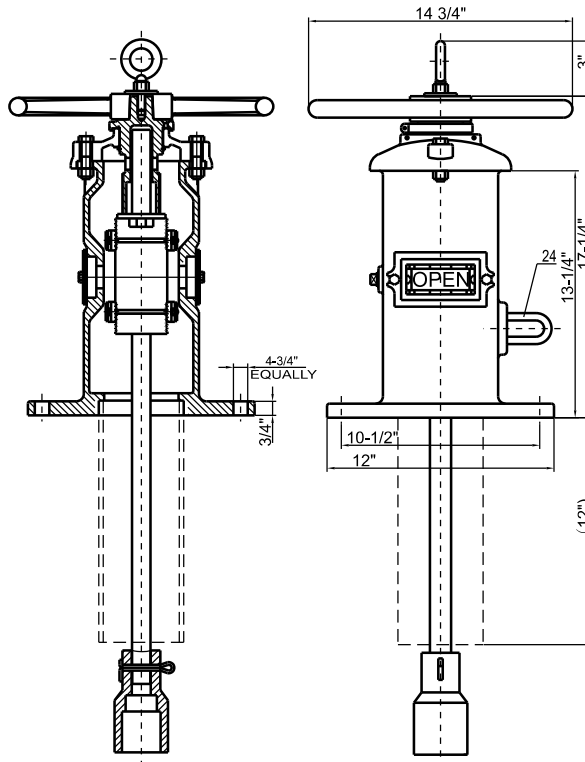




FIREGUARD

Indicator Post Wall Type

FGWI388



Valve Standard:

Fusion bonded coating comply with AWWA C550.

Field Adjustment:

1. Remove the top section from the top of the Indicator Post assembly.
2. Set the "OPEN" and "SHUT" targets for the appropriate valves size.
3. Reattach the Top Section to the top of the Indicator Post assembly
4. Design and materials are subject to change without notice.

Materials List

Description	Material
Lifting Eyebolt	ASTMA105
Hex Nut	ASTMA105
Washer	ASTMA105
Hand Wheel	ASTMA536
Operating Nut	ASTM B62/AISI 304
Hex Cap Screw	ASTMA105
Hex Nut	ASTMA105
Snap Ring	AISI 066
Target Carrier Nut	ASTM B62/AISI 304
Target	ASTM B108
Hex Cap Screw	ASTMA105
Window Glass	LEXAN-UN

Description	Material
Window Glass Gasket	PTFE
Hex Cap Screw	ASTMA105
Hex Nut	ASTMA105
Body	ASTMA536
Stand Pipe	ASTM A53
Stem	AISI 1045
Cotter Pin	AISI 304
Crane Coupling	ASTMA536
Plug	AISI 304
Cover	ASTMA126B
Cross Recessed Countersunk Head Screw	AISI 304
Locking Nose	ASTMA307B

***Note: Subject to change without prior notice due to products optimization.